



The Power Systems Industry Experts

Installation Instructions

PT400

Stationary Generator Monitoring System



PLEASE READ ALL INSTRUCTIONS PRIOR TO INSTALLATION

Planning the Installation

The monitoring unit should be located on a non-vibrating portion of the unit, typically inside of or near the generator control panel. There are two harnesses supplied with the PT400 monitoring system. The power harness includes leads for the Battery Positive (+) connection, Battery Negative (-) connection, a Battery Voltage Sensing lead, and an Ignition Power lead. The I/O harness includes 48" leads for the inputs, outputs and ground leads. Plan for proper routing of the harnesses prior to installing the monitor.

The monitoring unit has an external cellular/GPS combo antenna. The antenna should be placed on top of the generator enclosure for the best cellular reception. The antenna is magnetically mounted. For generator enclosures that do not have a suitable surface to magnetically mount the antenna, a 1" heavy duty Velcro adhesive patch is supplied with the kit that can be used as needed.

Preparing for the Installation

Standard precautions should be taken prior to installing the monitoring unit. At a minimum:

- Only knowledgeable and qualified personnel should attempt to install this system
- Remove the main fuse in the generator control panel
- Remove any fuses and/or disconnect AC power to the generator (if applicable) from the ATS
- Remove/disconnect any other power source to the generator
- Proper Lock Out/Tag Out procedures should be followed

Power Harness Connection

The PT400 includes a separate power harness separate and I/O harness. The power harness includes a **RED** Battery Positive (+) lead, a **BLACK** Battery Negative lead (-), a **WHITE** ignition wire and a **GREEN** battery power monitoring wire. Two 3/8" battery lead ring terminals are provided with the kit for connections directly to the engine battery. Many generator controllers provide B+ and B- terminals in the controller that can be used in lieu of connecting directly to the engine starting battery. The power input is suitable for 7-30VDC. The standard monitoring program is set for a 12VDC battery system. For a 24VDC, contact Power Telematics via phone or email to change the low battery alarm set point. This is done "over the air" and can be done at any time (you do not have to remain at the site).

- Connect the **RED** Battery Positive (+) wire **and** the **GREEN** battery power monitoring wire together and crimp these two wires together into the 3/8" ring terminal provided or another terminal connector based on the type of connection made. Connect the terminal to the Positive (+) battery terminal on the engine starting battery or another suitable connection point that is directly connected to the engine battery system.
- Crimp the 3/8" ring terminal provided or another terminal connector based on the type of connection made onto the **BLACK** Battery Negative Wire (-) and then connect the **BLACK** Battery Negative Wire (-) to the Negative (-) battery terminal on the engine starting battery or another suitable connection point that is directly connected to the engine battery system.

Do not connect the power harness to the monitor yet, this will be done later in the process!

Ignition Wire Connection

Connect the **Ignition Sensing Lead (WHITE)** to the fuel solenoid/engine ECU power lead or an engine run relay. This connection can be made by connecting this lead onto the connection terminal of the fuel solenoid, at the appropriate terminal on the controller or by splicing onto the fuel solenoid power lead (quick splice connector supplied). This lead requires a positive (+) 12/24VDC supplied to it when the engine is running.

Input Connections

For any questions on how to install the monitor, please call the Power Telematics Customer Support Team at 678-992-5501 for guidance and recommendations.

The PT400 monitoring unit has seven (7) digital inputs and four (4) analog inputs. There will typically be additional wires on the I/O harness that may not be used and can be coiled and taped (or cut if you so choose) at the end of the installation. An input configuration data sheet is included with each monitor. This data sheet shows the programmed configuration for the monitor inputs. The inputs can be reconfigured should you choose to monitor different conditions or need to change the input bias for the controller you are connecting to. For any configuration changes, contact the Power Telematics Customer Support Team to make any changes to the programming of the monitor. Monitor programming changes can be sent “over the air”.

Digital Inputs

The digital inputs are used to signal a contact closing/opening to the monitor to send the event condition to the Power Link platform. The inputs are pre-programmed to use with a traditional normally open dry contact relay utilizing one of the ground leads supplied on the harness. Some generator controllers provide a positive voltage output on the output terminal contact on the controller. The monitor input is capable of being reprogrammed to change the bias of the input lead to receive a positive voltage to the input. In these applications, the ground lead is not required. Contact Power Telematics Customer Support to change the programming of the monitor (over the air) to correspond with the controller and outputs you are connecting to.

The PT400 has seven (7) digital inputs labeled Input #1 – Input #7. There are relay ground wires that are included in the harness. Any of these ground wires can be used with the inputs for dry contact relays.

Connect the appropriate **INPUT LEAD** (see input configuration data sheet) on the harness to the normally open contact output. Connect a **BLACK** ground lead to the common terminal (other side of the normally open contact output). If the controller output is normally closed/open on alarm, contact Power Telematics Customer Support to confirm if programming changes need to be made.

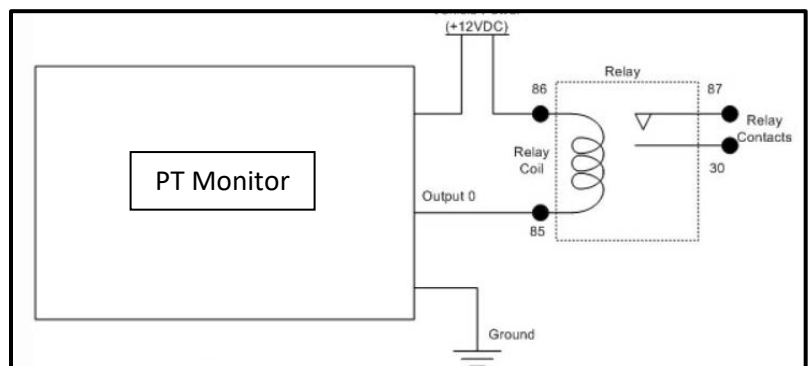
Common Fault Alarm Note: There is a 30 second delay for a common fault alarm to report. If you are testing the common fault alarm, be sure to leave the common fault alarm relay closed for at least 30 seconds.

Analog ADC Inputs

The primary use of an analog input channel is for a common fault signal connected to a positive DC voltage (7-30VDC) lead for a fault lamp or horn when a common fault alarm relay is not available. An analog input can also be used for current sensing on large generators using the GCT kit or for an external fuel sensor when a low fuel level contact is not available on the generator. The analog input leads accept a positive voltage from 7-30VDC. Contact Power Telematics for when using the analog input channels to coordinate the programming of these input channels.

Relay Driver Outputs

There are five (5) relay driver outputs that are available. **Output Lead #1** is used for Remote Start/Stop to provide a ground path to drive a 12VDC or 24VDC relay or close an auto-start contact. Contact the Power Telematics to coordinate programming if any relay driver outputs are used.



Mount the Monitor

It is best to mount and install the monitor in a vibration free location. Typically, the PT400 with an external antenna is installed inside of or on the outside of the generator controller. It is best to place the unit away from any possible water intrusion.

The PT400 monitoring unit includes a mounting bracket. Install the mounting bracket so that the harness leads and antenna connections are on the sides. The mounting bracket can be installed with screws, heavy duty Velcro, heavy duty double-sided tape or with the optional PTK-MM magnetic mounting kit. Mount the unit at a height so that the harnesses and antenna leads “hang down” to create a “moisture drip loop” to prevent moisture intrusion into the connectors on the monitoring unit.

Connect the Antenna

The cellular/GPS combo antenna should be mounted outside of and on top of the generator enclosure for the best cellular reception. Route the leads to the monitoring unit allowing for a “moisture drip loop” and connect. If you must coil the antenna leads, larger coils improve the reception signal. The antenna is magnetically mounted. For aluminum or fiberglass enclosures that do not have a suitable surface to magnetically mount the antenna, a 1” heavy-duty Velcro patch is supplied with the kit that can be used. For the initial “Power Up” sequence, the antenna must be outside to receive a GPS location signal to locate the monitor and to sync the local time.

Connect the Harnesses to the PT400 Monitor

- Connect the I/O Harness to the monitoring unit
- Connect the Power Harness to the monitoring unit

Initial “Power Up” Sequence

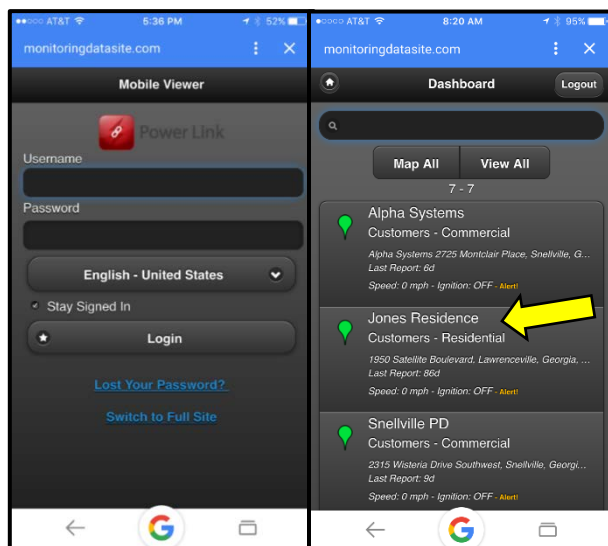
After you have connected power to the monitor, the unit will go through an initial “boot up” sequence. Both the **ORANGE** light (cell) and the **GREEN** light (GPS) will flash intermittently until the sequence is complete (usually a couple of minutes), then both lights will become solid. Once **BOTH** the **ORANGE** and **GREEN** lights remain solid for at least 60 seconds, the boot up sequence is complete. Sometimes, it may be necessary to “power cycle” the monitor to reinitiate registration with the cellular network. If the **ORANGE** light remains in a flashing mode for more than 5 minutes, disconnect power to the monitor (disconnect the harness) for 10 seconds, then reconnect the power to reinitiate the process. Once both lights are solid, proceed to start and run the generator. Start and run the generator for at least 10-15 seconds then turn off. This will initiate a generator run signal to the monitor that will be transmitted to the user interface.

Connection “Handshake” Acknowledgement

This step is to confirm that the generator run signal and initial “handshake” with the user interface is complete. This can be accomplished via the Power Link Mobile Viewer on your smart phone/tablet or on a computer connected to the internet.

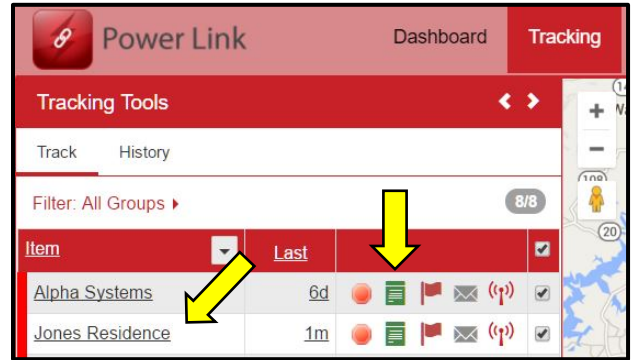
Mobile Viewer Smart Phone/Tablet Connection: Open your internet browser and go to the web site

www.monitoringdatasite.com to log in. You should see the Power Link Mobile Viewer log-in screen. Enter User Name and Password, then select Login. If you see the unit that you just installed listed, the “handshake” is complete. If the unit is not listed, verify that **BOTH** the **ORANGE** and



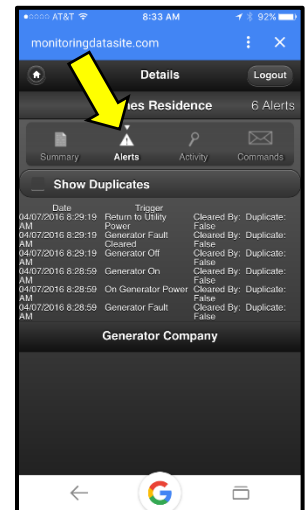
GREEN lights are solid. If so, then run the generator again for 10-15 seconds, then turn the generator off. If the unit is still not listed after a few minutes, there may be a problem with your ignition wire connection. Verify that this lead is securely connected and run the generator again. If the unit is still not listed, call our support team for troubleshooting assistance.

Computer Internet Connection Open your internet browser and go to www.monitoringdatasite.com to log in. You should see the Power Link log in screen. Enter User Name and Password, then select Login. Select the **Tracking** tab. You will see the unit listed (list is sorted alphabetically). Once the unit has completed the initial “handshake” with the user interface, the Session Info Icon will change from gray to green. If the session info icon is green, and the monitor is located on the map, the “handshake” is complete. If the icon is gray, verify that **BOTH** the **ORANGE** and **GREEN** lights are solid. If so, then run the generator again for 10-15 seconds, then turn the generator off. If you still do not see the unit listed after a few minutes, there may be a problem with your ignition wire connection. Verify that this lead is securely connected and run the generator again. If the icon is still gray, call our support team for troubleshooting assistance.

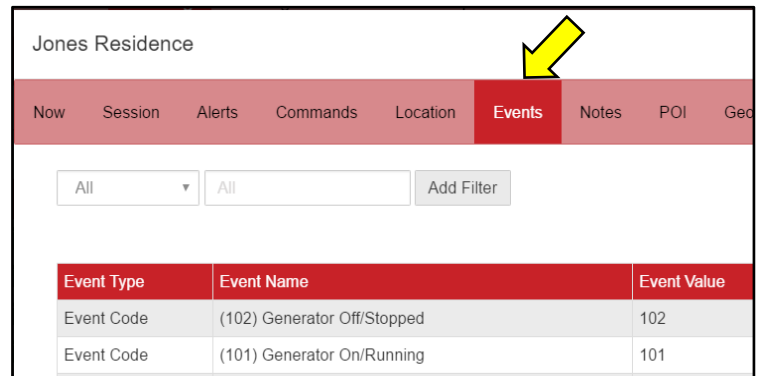
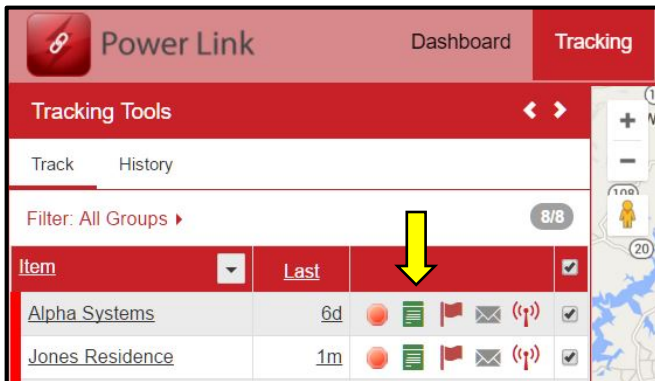


Test Input Connections: Once the monitor is communicating with the Power Link user interface, you will be able to see the events sent from the monitor. It is a good idea to test the input connections before leaving to make sure that the inputs are wired correctly and functioning properly. Test each input and verify that the events are being received.

Mobile Viewer Verification: You can view each of these events on the mobile viewer (Select the Monitor installed and select Alerts). This will show you a list of all of the events from your testing.



Computer/Internet Verification: You can view each of these events on the user interface. Select the **Tracking** Tab, then click on the green **Session Info** Icon. This will open the Session Info screen. Select the **Events** Tab and you should see the events created from the input verification tests as well as the generator on/off events.



That’s it...you are all set. For any questions or need any assistance, please contact our support team.

PT400 Power Harness Wiring Index

Pin	Color	Description
1	Red	Primary Power
2	Black	Ground
3	Green	ADC 1
4	White	Ignition

PT400 I/O Harness Wiring Index

PIN	DESCRIPTION/LABEL
1	INPUT 1
2	INPUT 2
3	INPUT 3
4	INPUT 4
5	INPUT 5
6	INPUT 6
7	INPUT 7
9	GROUND FOR RELAY DRY CONTACT INPUTS (-)
11	GROUND FOR RELAY DRY CONTACT INPUTS (-)
12	OUTPUT 0 (-)
13	OUTPUT 1 (-)
14	OUTPUT 2 (-)
15	OUTPUT 3 (-)
16	OUTPUT 4 (-)
19	ADC 2 (+)
20	ADC 3 (+)
21	ADC 4 (+)
22	ADC 5 (+)

Power Telematics, Inc.

3100 Breckinridge Blvd. Suite 145 | Duluth, GA 30096

Phone 678-992-5501

Email info@powertelematics.com | www.powertelematics.com